



SY215LR

NEW QUALITY
CHANGES THE WORLD



SELLING POINTS

● High reliability

Core elements, such as universal power, hydraulic and electric-control parts from standard excavators, are used in order to ensure high performance and reliability of this Excavator.

● Firm structure

Boom and bucket rod are optimized by internally installing strengthened isolation plate, in order to improve the rigidity and stability of working device.

● Good operability

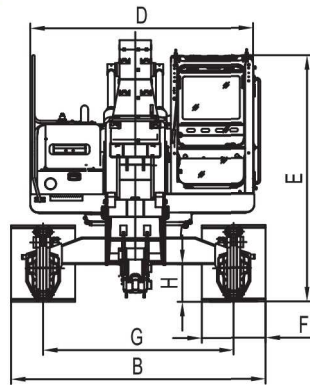
This Excavator is configured with specific control program in order to get adaptive to operation of super long boom, reduce the impacts from action, and improve controllability and comfort.

● Strong adaptability

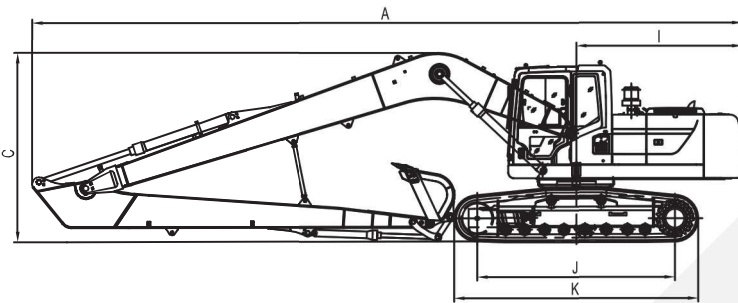
Prolonged chassis and widened track are used to reduce the ground pressure and realize easy construction on mud and loose surface.

Overall Dimensions

(Unit:mm)



	SY215LR
A Overall length (in transportation state)	12357
B Overall width (in transportation/operation state)	3180
C Overall height (in transportation state)	3265
D Upper width	2785
E Overall height (cab top)	3075
F Width of track shoe	800
G Track gauge	2380
H Minimum ground clearance	470
I Slewing radius of tail	2898
J Ground contact length of track	3640
K Track shoe length	4446



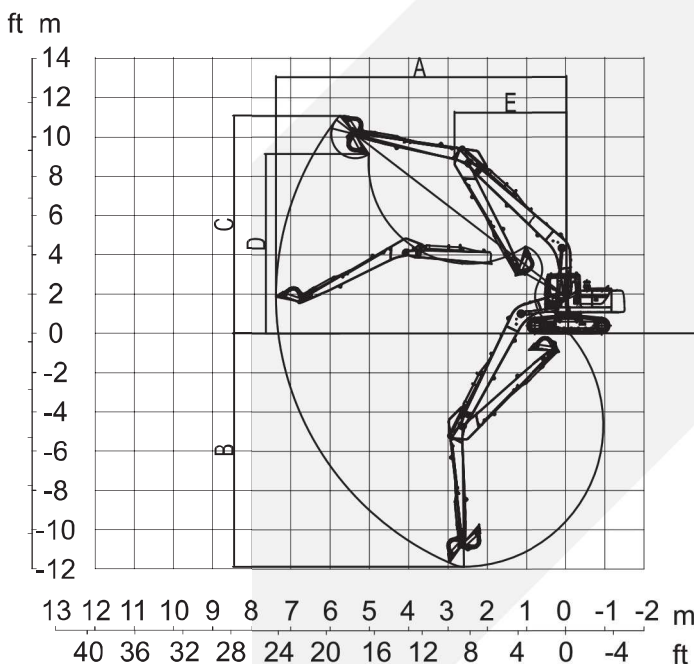
Performance Parameters

Standard

	SY215LR
Overall weight (kg)	24150
Boom length (mm)	8500
Length of bucket rod (mm)	6020
Bucket capacity (m3)	0.45
Rated power (kW/rpm)	114/2050
Traveling speed: high/low (km/h)	5.4/3.3
Gradeability	70%/35°
Ground pressure (kPa)	42.9
Digging force of bucket (kN)	88.2
Digging force of arm (kN)	61.7

Operation Range

(Unit:mm)



	SY215LR
A Maximum digging distance	15030
B Maximum digging depth	11970
C Maximum digging height	11265
D Maximum unloading height	9275
E Minimum slewing radius	5765

Shanghai SANY Heavy Machinery Co., Ltd.
Address: Shanghai SANY Heavy Machinery
Industrial Park, Ping'an Town, Fengxian
District, Shanghai City, China
www.sany.com.cn



PT SANY PERKASA
Address: Jl Raya Cakung Cilincing KM 19, No RT 005 RW 006,
Kel. Cakung Timur, Kec. Cakung, Jakarta Timur, DKI Jakarta
Service hotline: +62 812-9666-9000
Email: sales@sanyperkasa.com
For more information, please visit: www.sanyperkasa.com

Note

Material and specifications are subject to change without notice.
Feature machines in photos may include additional equipment.